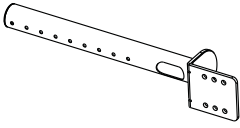
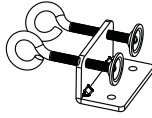


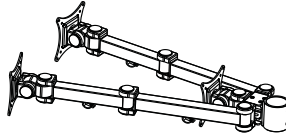
Supplied Parts List



(1) 48mm Tube Support-a



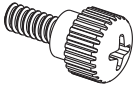
(1) Disconnected "C" Clamp-b



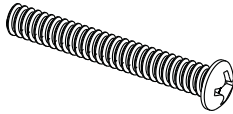
(1) VESA Plate with Arm Assembled-c



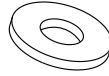
(1) Wrench-l



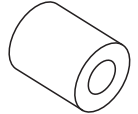
(12) M4x12 Thumb Bolt-d



(12) M4x30 Bolt-e



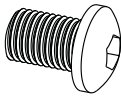
(24) M4 Washer-f



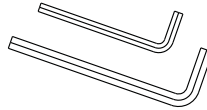
(12) M4 Space-g



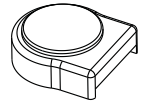
(2) M8x10 Bolt-h



(2) M10x15 Bolt-i



(1) Allen Key-j



(2) Spare Plastic Cover-k

Tools Required

Phillips Screwdriver



WARNING

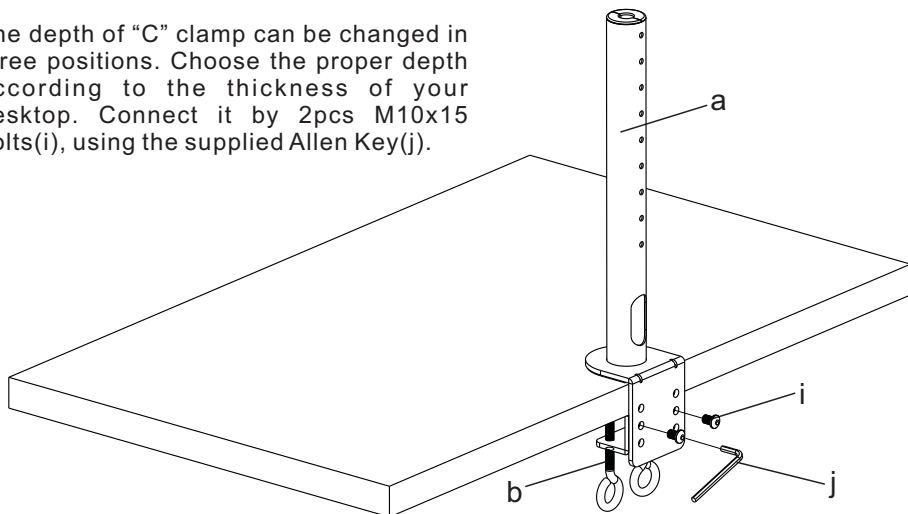
CAUTION!

This monitor desktop mount must be securely attached to the horizontal desk. If the mount is not properly installed it may fall, resulting in possible injury and/or damage.

Step 1

Install the “C” Clamp According to the Desktop Thickness

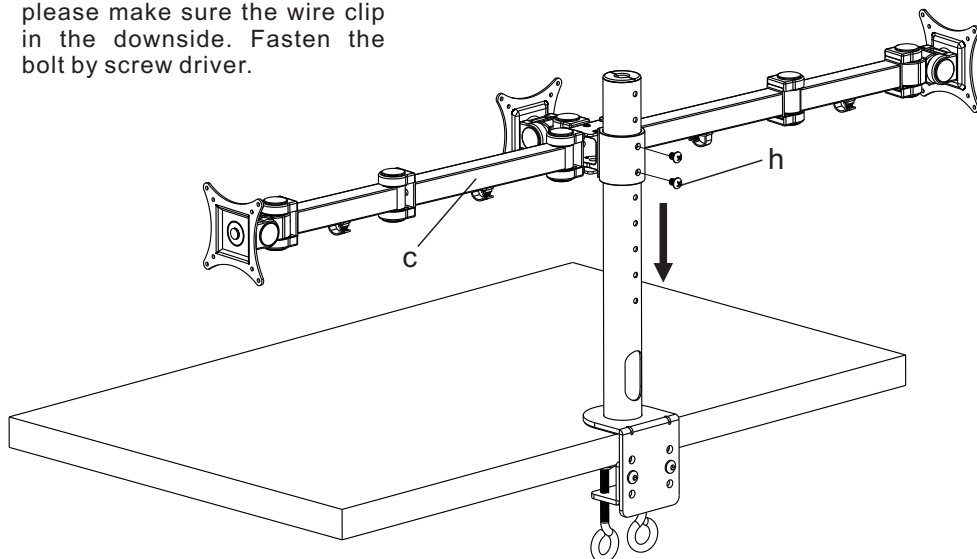
The depth of “C” clamp can be changed in three positions. Choose the proper depth according to the thickness of your desktop. Connect it by 2pcs M10x15 bolts(i), using the supplied Allen Key(j).

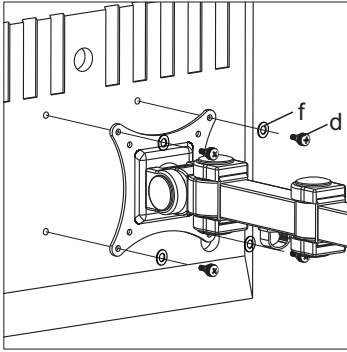
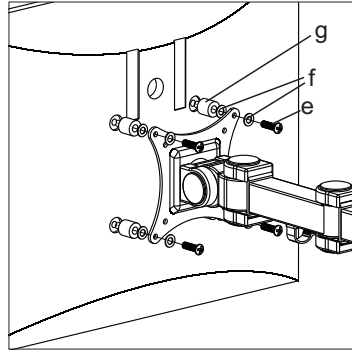
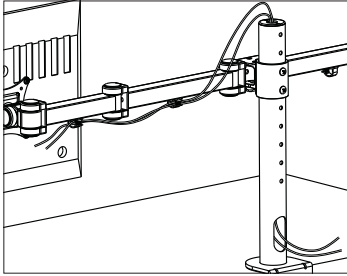


Step 2

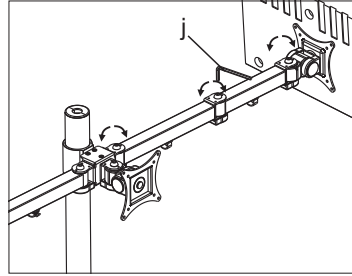
Install Arm to the Tube Support

Install arm to the tube support, please make sure the wire clip in the downside. Fasten the bolt by screw driver.

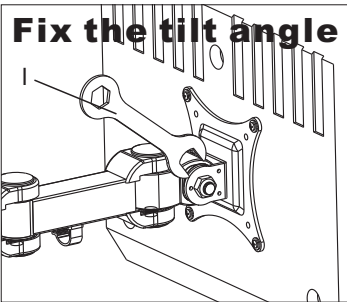


Step 3**Mount the Monitor to VESA Plate****For Flat Back Monitor****For Curved Back Monitor****Step 4****Manager the Wires and Adjust the Turning Tension**

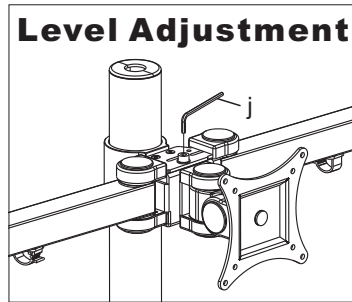
Manager the wires by the wire clips, some wires can be hidden inside the pipe.



Remove the plastic cover, use the Allen Key(j) to adjust the turning tension.

Step 5**Fix the Tilt Angle and Adjust the Level of the Monitors**

Remove the plastic cover, tighten the nut by the Wrench(l) to fix the tilt angle.



Turn the bolt counterclockwise to lower the center monitor, turn the bolt clockwise to raise the center monitor.