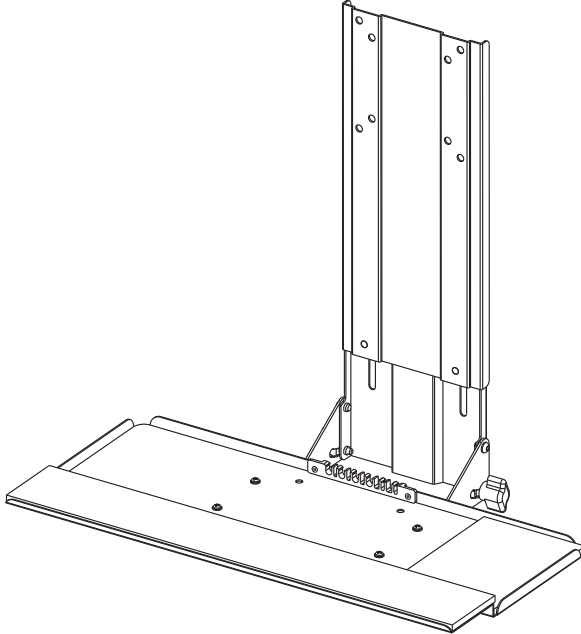


Installation Instruction



UNPACKING INSTRUCTIONS

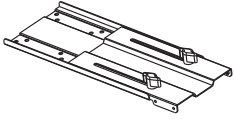
- Carefully open the carton, remove contents and lay out on cardboard or other protective surface to avoid damage.
- Check package contents against the Supplied Parts List in the next page to assure that all components were received undamaged. Do not use damaged or defective parts.
- Carefully read all instructions before attempting installation.

IMPORTANT SAFETY INFORMATION

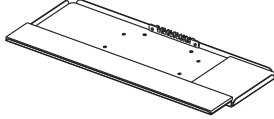
- Install and operate this device with care. Please read this instruction before installation, and carefully follow all instructions contained herein. Use proper safety equipment during installation.
- Please call a qualified installation contractor for help if you don't understand these directions or have any doubts about the safety of the installation.

Do not use this product for any purpose or in any configuration not explicitly specified in this instruction. We hereby disclaims any and all liability for injury or damage arising from incorrect assembly, incorrect mounting, or incorrect use of this product.

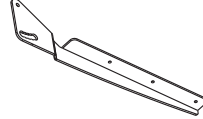
Supplied Parts List



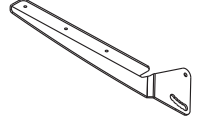
(1)Vertical Board-a



(1)Keyboard Tray-b



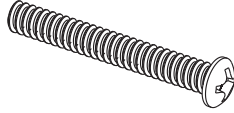
(1)Tray Supportor-c1



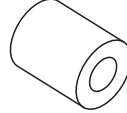
(1)Tray Supportor-c2



(4)M4x16 Bolt-d



(4)M4x30 Bolt-e



(4)M4 Spacer-f



(8)M4 Washer-g



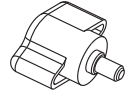
(4)3mm Spacer-h



(4)Plastic Washer-i



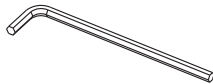
(2)M5x10 Bolt-j



(2)Plastic Knob-k



(4)M4x6 Bolt-l



(1)Allen Key-m

Tools Required

Phillips Screwdriver



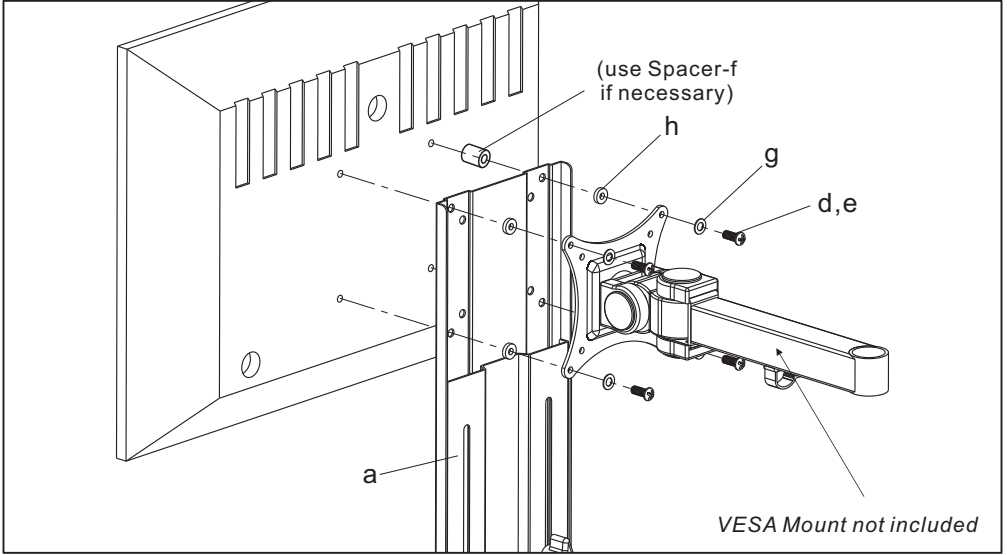
WARNING

CAUTION!

This keyboard attachment must be securely attached to the monitor with VESA plate. If the mount is not properly installed it may fall, resulting in possible injury and/or damage.

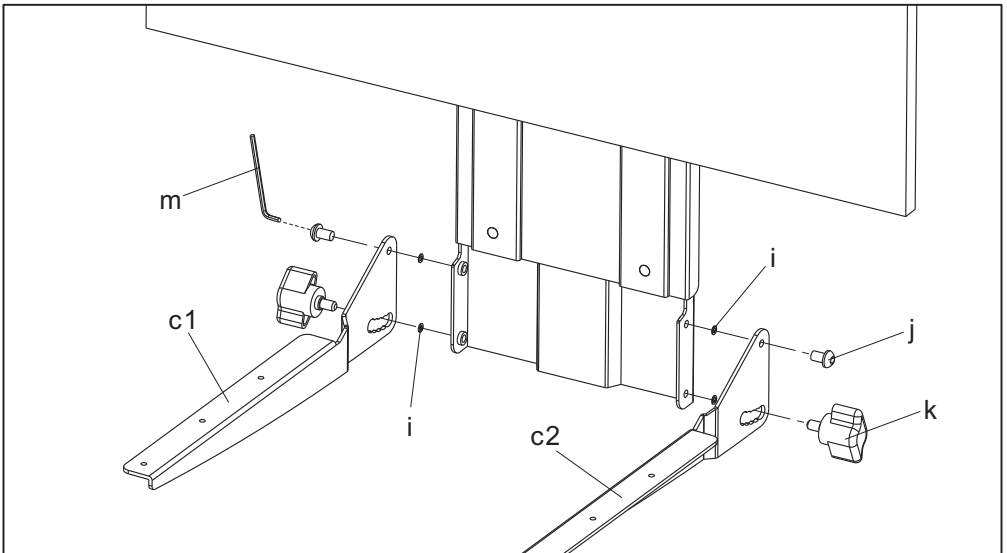
Step 1

Connecting the Vertical Board to Monitor with VESA Plate



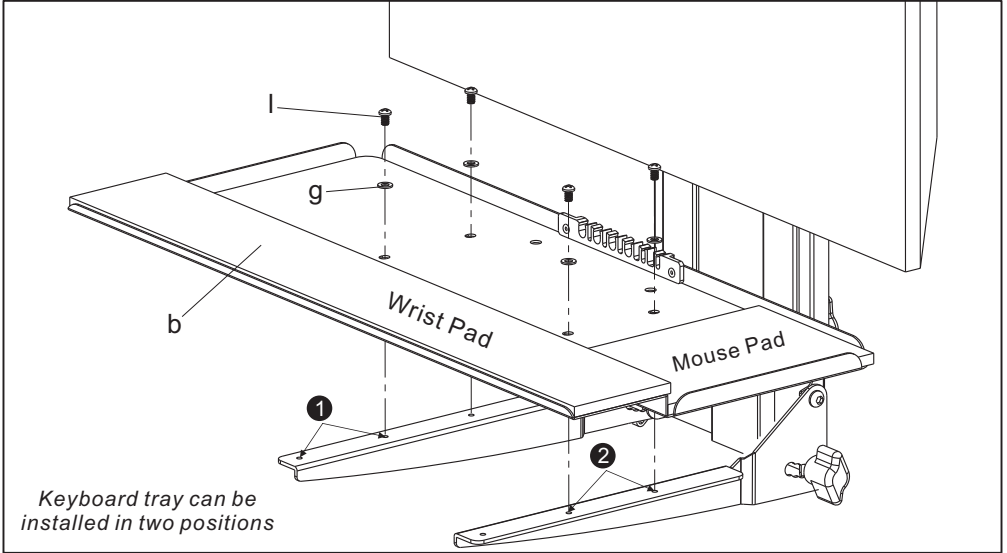
Step 2

Connecting the Tray Supporters to Vertical Board



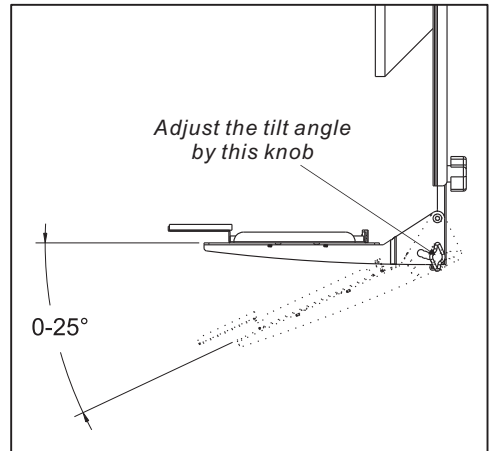
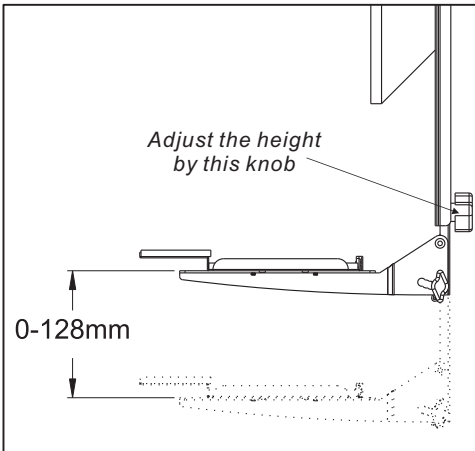
Step 3

Attaching the Keyboard Tray to Tray Supporters



Step 4

Adjusting the Height and Tilt Angle of Keyboard Tray



Thank you for choosing our products!